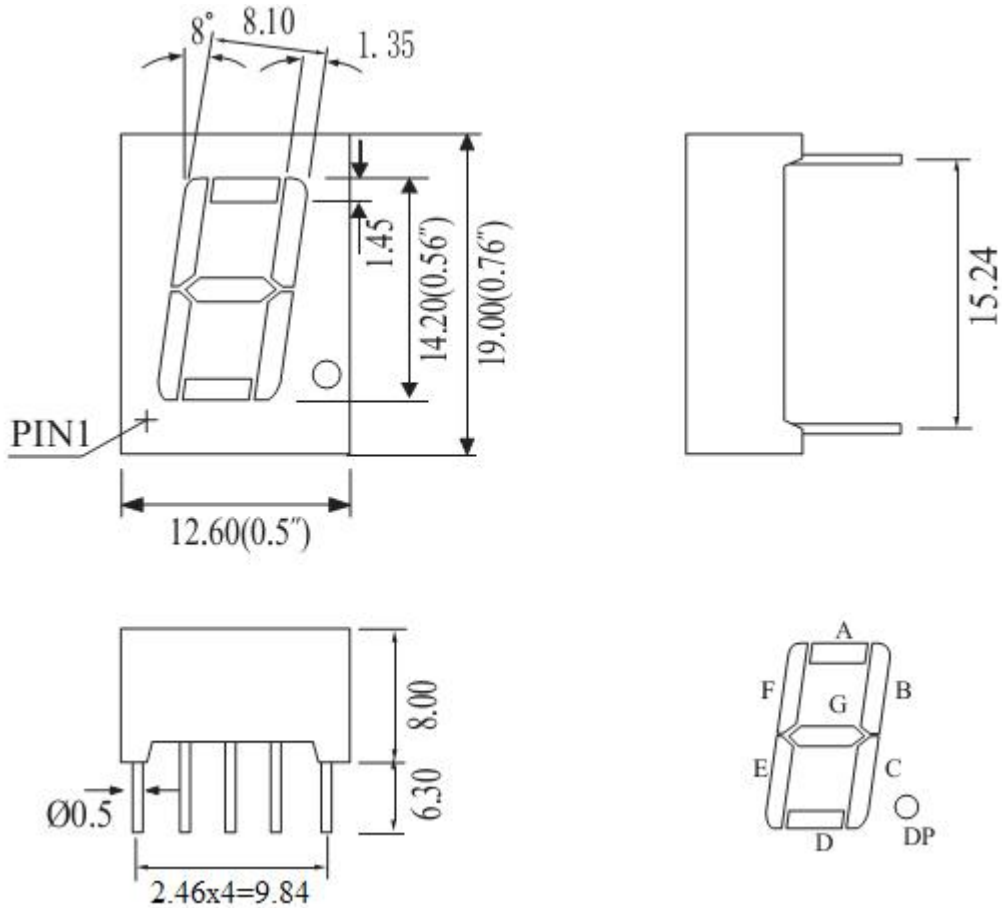


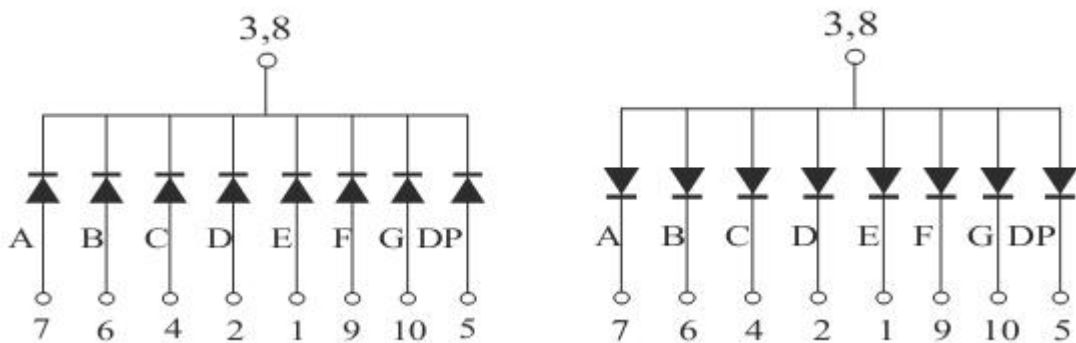
Package Dimensions

05611AB



UNIT: MM(INCH) TOLERANCE: $\pm 0.25(0.01)$ "

Internal Circuit Diagram



05611A

05611B

Single Digital Displays Series